

NOTES  
 Do not scale this drawing.  
 All dimensions are in millimetres unless stated otherwise.  
 This drawing is to be read in conjunction with all other relevant drawings and specifications.  
 The copyright of this drawing is vested in Harris Irwin Associates Ltd. and must not be copied or reproduced without the written consent of a Director.

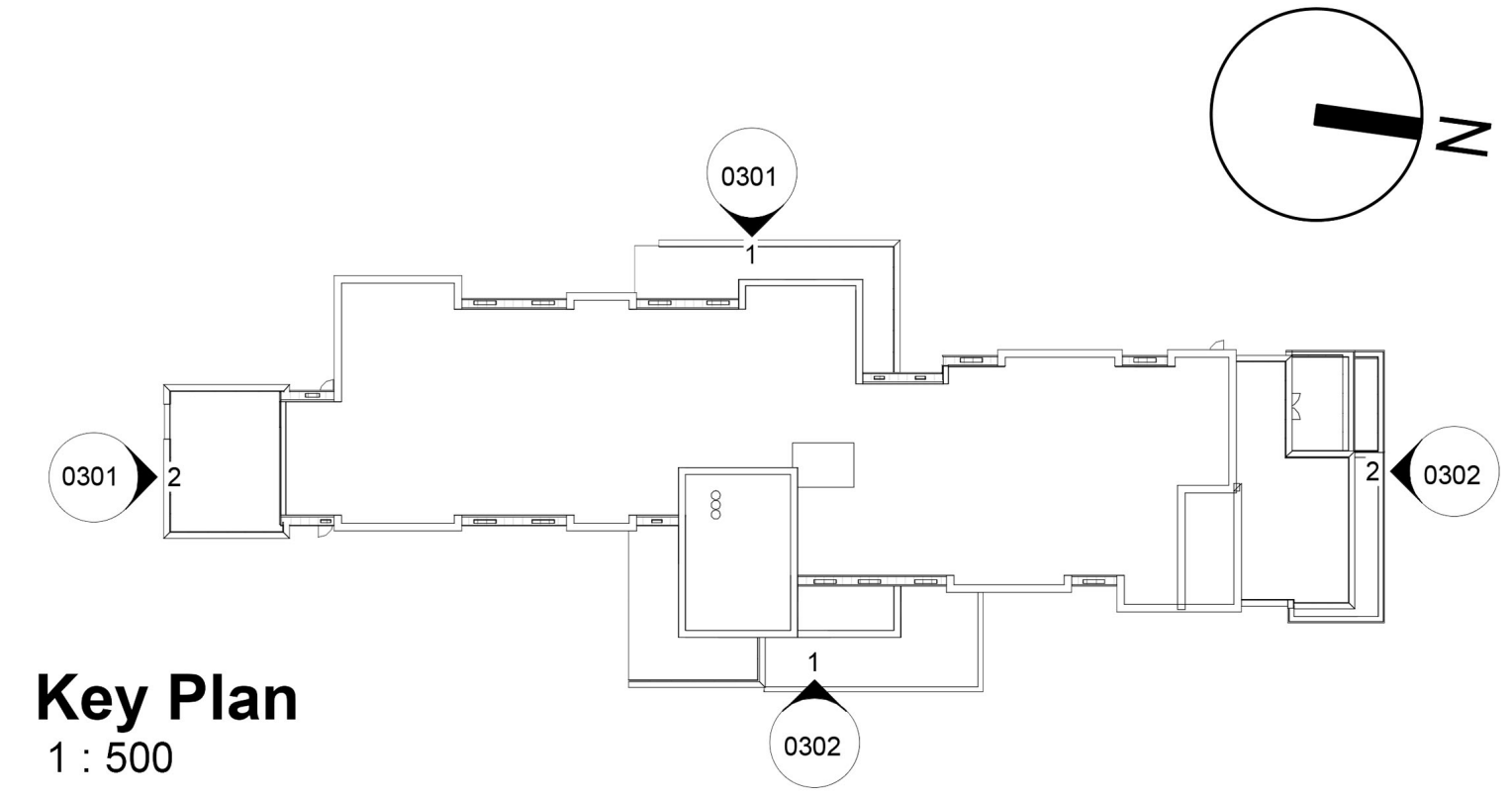


**1 West Elevation**  
 1 : 125



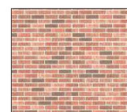



**2 South Elevation**  
 1 : 125

0m 2.5m 5m 7.5m 10m 12.5m  
 VISUAL SCALE 1:125 @ A1



**Key Plan**  
 1 : 500

**Key to Materials**

-  Red Brick
-  Zinc Cladding or similar
-  Marley Cedar Cladding (Natural Colour) or similar
-  Grey window and door frames

All materials subject to approval by client and Planning Authority

|     |          |                                   |       |         |
|-----|----------|-----------------------------------|-------|---------|
| PS  | 28/1/20  | Issued for Planning Submission    | RSW   | RSW     |
| F4  | 17/1/20  | Issue for client comment/Approval | RSW   | RSW     |
| P3  | 05/12/19 | Client Issue                      | RSW   | RSW     |
| P2  | 28/7/19  | General Amendments                | JCB   | RSW     |
| F1  | 27/06/18 | Updated elevations                | JCB   | BC      |
| Rev | Date     | Description                       | Drawn | Checked |
|     |          |                                   | By    | By      |

**harrisirwin**  
 architects & designers  
 Aske Stables, Aske, Richmond, North Yorkshire, DL10 5HG  
 t: 01483 826675  
 e: enquiries@harrisirwin.com  
 w: www.harrisirwin.com

Project:  
 Care Home  
 Twentywell Lane,  
 Bradway,  
 Sheffield.

Client:  


Drawing Title:  
 Proposed Elevations 1 of 2

**For Planning Submission**

|                     |              |        |
|---------------------|--------------|--------|
| Site/Project Number | Issue #/1    | Issued |
| 2521                | As indicated | D0     |

|                                |          |         |       |      |       |        |
|--------------------------------|----------|---------|-------|------|-------|--------|
| Project                        | Original | Version | Level | Type | Scale | Number |
| 2521 - HA - 01 - XX - DR - A - |          |         |       |      |       | 0301   |